

# DID YOU KNOW?



## about our... HBS BOLTS for Blind & Hollow Steel Connections

One-sided installation for fixing steel to hollow sections or where there is limited access. High shear capacity and large grip range make the HBS Bolts suitable for many steel connections.

### Applications

- For fixing steel to hollow steel sections
- For use with square, rectangle, and circular hollow sections
- High shear and tensile capacities
- Large grip range
- One sided installation
- Steel framework including: gantries, bridges, stadiums, and transmission towers.



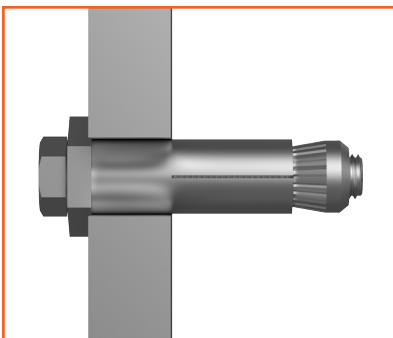
### 3-part assembly

- » M8
- » M10
- » M12

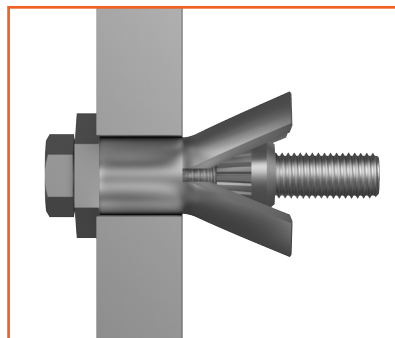
### 5-part assembly

- » M16
- » M20

### Before



### After



**DOWNLOAD:**  
This product has a  
Test Certificate and/or  
Report available

**ONLINE**

3-Part Assembly					
Part	QFind	Nominal Size	Bolt Length	AF1/AF2	Pack Qty
			(mm)	(mm)	
KBB88GHM080050	<b>HBG850</b>	M8	50	13/20	50
KBB88GHM080070	<b>HBG870</b>		70		
KBB88GHM080090	<b>HBG890</b>		90		
KBB88GHM100055	<b>HBG1055</b>	M10	55	16/24	50
KBB88GHM100070	<b>HBG1070</b>		70		
KBB88GHM100090	<b>HBG1090</b>		90		
KBB88GHM120060	<b>HBG1260</b>	M12	60	18/30	25
KBB88GHM120080	<b>HBG1280</b>		80		
KBB88GHM120110	<b>HBG12110</b>		110		

5-Part Assembly					
Part	QFind	Nominal Size	Bolt Length	AF1/AF2	Pack Qty
			(mm)	(mm)	
KBB88GHM160080	<b>HBG1680</b>	M16	80	24/36	10
KBB88GHM160100	<b>HBG16100</b>		100		
KBB88GHM160120	<b>HBG16120</b>		120		
KBB88GHM200090	<b>HBG2090</b>	M20	90	30/46	5
KBB88GHM200120	<b>HBG20120</b>		120		
KBB88GHM200140	<b>HBG20140</b>		140		

» Refer to the product data sheet for torque settings and edge distance information.

Bolt Tension | Anti-Vibration | Product Reliability | Traceability

**hobson.com.au** **QUALITY FASTENERS SINCE 1935**

